

Clutch / brake units

RotaStep type 10

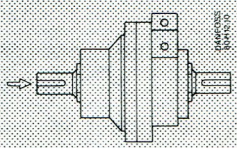
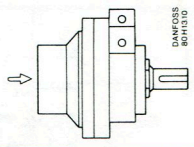
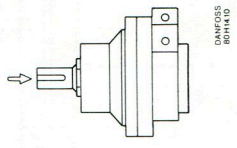
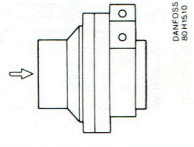
Data Sheet

The Danfoss *RotaStep* is a compressed air activated clutch / brake unit.

The product range comprises five *RotaStep* sizes, covering the torque range (dynamic torque) of 3 to 120 Nm.

Each *RotaStep* size will be available in four types.

RotaStep type 10 is the solid/solid shaft version.

| <i>RotaStep</i> 06 <i>RotaStep</i> 08 <i>RotaStep</i> 10 <i>RotaStep</i> 12 <i>RotaStep</i> 15 | Type 10 | Solid/solid shaft |  | Data sheet no. |
|------------------------------------------------------------------------------------------------------------|---------|---------------------|---------------------------------------------------------------------------------------|----------------|
| <i>RotaStep</i> 06 <i>RotaStep</i> 08 <i>RotaStep</i> 10 <i>RotaStep</i> 12 <i>RotaStep</i> 15 | Type 20 | Hollow/solid shaft |  | FD.60.B3 |
| <i>RotaStep</i> 06 <i>RotaStep</i> 08 <i>RotaStep</i> 10 <i>RotaStep</i> 12 <i>RotaStep</i> 15 | Type 30 | Solid/hollow shaft |  | FD.60.C1 |
| <i>RotaStep</i> 06 <i>RotaStep</i> 08 <i>RotaStep</i> 10 <i>RotaStep</i> 12 <i>RotaStep</i> 15 | Type 40 | Hollow/hollow shaft |  | FD.60.D1 |

Product identification

Example: *Rota* 15 10
 Size: *RotaStep* 15 ————|
 Type: Type 10 ————|



RotaStep size 08, 10, 12 and 15

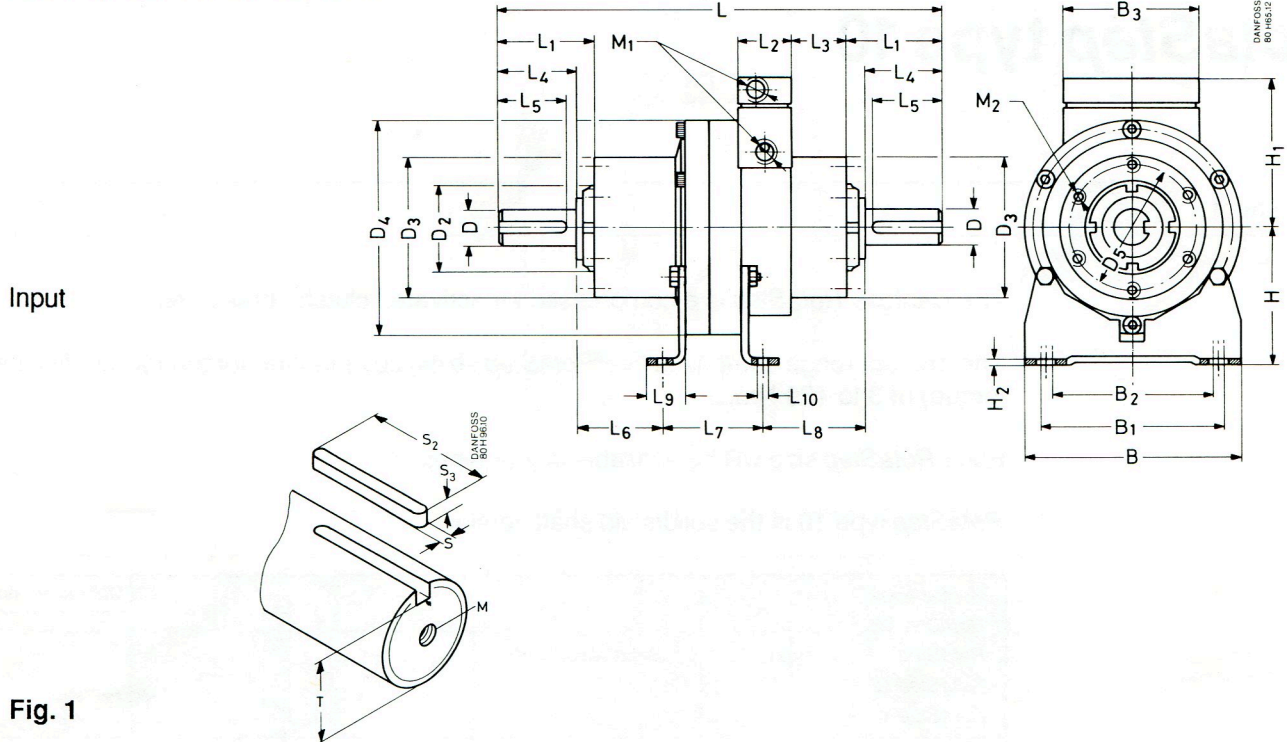


Fig. 1

RotaStep size 06

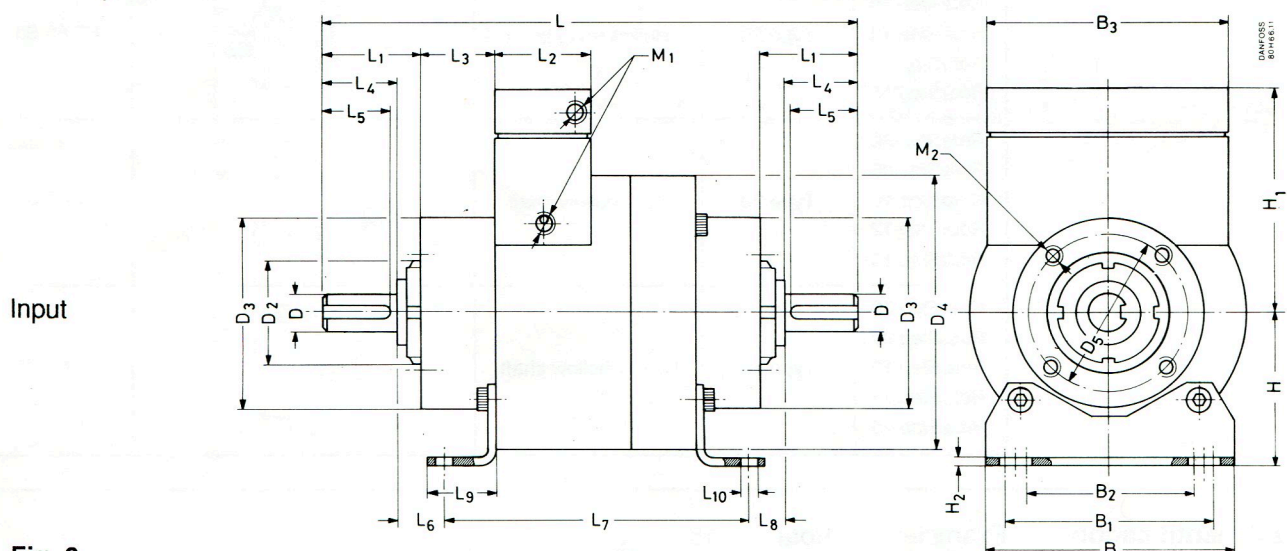


Fig. 2

- Keyway: DIN 6885/1
- Shafts ends: j6 for $D \leq 30$ mm ISO R 775
- Centrings: DIN 332/2 form DR
- Shaft heights: DIN 747
- Grade of enclosure: IP 54



Ordering

| <i>RotaStep</i> size/type | Torque range Nm | D mm | Weight kg | Code no. <i>RotaStep</i> unit | Code no. bracket |
|---------------------------|-----------------|------|-----------|-------------------------------|------------------|
| 0610 | 3-9 | | | | 080H0016 |
| | | Ø 14 | 3.6 | 080H1111 | |
| 0810 | 6-18 | | | | 080H0019 |
| | | Ø 19 | | 080H2111 | |
| 1010 | 12-36 | | | | 080H0022 |
| | | Ø 24 | 7.4 | 080H3111 | |
| 1210 | 22-66 | | | | 080H0025 |
| | | Ø 28 | 7.9 | 080H4111 | |
| 1510 | 40-120 | | | | 080H0028 |
| | | Ø 28 | 12.1 | 080H5111 | |

Dimensions

| <i>RotaStep</i> size/type | L | L ₁ | L ₂ | L ₃ | L ₄ | L ₅ | L ₆ | L ₇ | L ₈ | L ₉ | L ₁₀ | B | B ₁ | B ₂ | B ₃ |
|---------------------------|-------|----------------|----------------|----------------|----------------|----------------|----------------|----------------|----------------|----------------|-----------------|-----|----------------|----------------|----------------|
| 0610 | 213 | 40 | 35 | 28.5 | 30 | 25 | 21.5 | 107.5 | 24 | 25 | 7 | 100 | 83 | 73 | 88.5 |
| 0810 | | | | | | | | | | | | | | | |
| 1010 | 287.5 | 62 | 35 | 35 | 50 | 45 | 54 | 71 | 62.5 | 25 | 7 | 140 | 123 | 113 | 88.5 |
| 1210 | 312 | 72 | 35 | 27 | 60 | 55 | 52 | 78 | 6.2 | 28 | 7 | 165 | 143 | 119 | 88.5 |
| 1510 | 312 | 72 | 40 | 27 | 60 | 55 | 50 | 82 | 60 | 30 | 9 | 190 | 168 | 159 | 116 |

| <i>RotaStep</i> size/type | H | H ₁ | H ₂ | D | D ₂ | D ₃ | D ₄ | D ₅ | M ₁ | M ₂ |
|---------------------------|-----|----------------|----------------|----|----------------|----------------|----------------|----------------|----------------|----------------|
| 0610 | 71 | 84.2 | 4 | | 38 | 70 | 102 | 58 | G1/4 | 4 x M5 x 15 |
| | | | | 14 | | | | | | |
| 0810 | | | | | | | | | | |
| | | | | 19 | | | | | | |
| 1010 | 90 | 98 | 4 | | 56 | 92 | 142 | 80 | G1/4 | 6 x M6 x 15 |
| | | | | 24 | | | | | | |
| 1210 | 100 | 104 | 4 | | 56 | 110 | 170 | 93 | G1/4 | 4 x M8 x 15 |
| | | | | 28 | | | | | | |
| 1510 | 100 | 110 | 4 | | 56 | 110 | 192 | 93 | G3/8 | 4 x M8 x 15 |
| | | | | 28 | | | | | | |

Key

| <i>RotaStep</i> size/type | D | M | S | S ₂ | S ₃ | T |
|---------------------------|----|---------|---|----------------|----------------|-------|
| 0610 | 14 | M5 x 10 | 5 | 22 | 5 | 10.95 |
| 0810 | | | | | | |
| 1010 | 24 | M6 x 16 | 8 | 40 | 7 | 19.9 |
| 1210 | 28 | M6 x 16 | 8 | 50 | 7 | 24 |
| 1510 | 28 | M6 x 16 | 8 | 50 | 7 | 24 |



Flange DIN 42948

Input

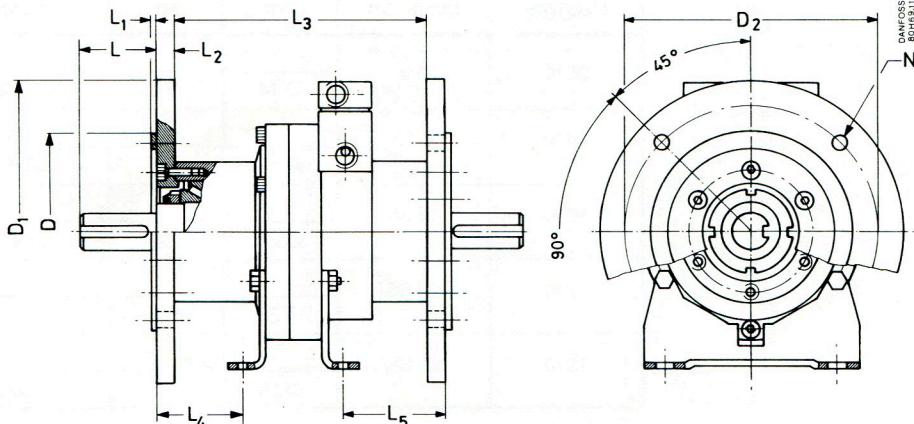


Fig. 3

| Flange DIN 42948 | | For <i>RotaStep</i> size | L | L ₁ | L ₂ | L ₃ | L ₄ | L ₅ | D | D ₁ | D ₂ | N | Code no. 1 pcs. |
|------------------|--------|--------------------------|----|----------------|----------------|----------------|----------------|----------------|-----|----------------|----------------|----------|--------------------|
| B5 | A140 * | 06 | | | | | | | | | | | |
| | A160 * | 06 | 30 | 3.5 | 10 | 133 | 24 | 21.5 | 110 | 160 | 130 | ø 9 | 080H0043 |
| | | 08 | | | | | | | | | | | |
| | A200 * | 08 | | | | | | | | | | | |
| | | 10 | 50 | 3.5 | 12 | 163.5 | 54 | 62.5 | 130 | 200 | 165 | ø 11 | 080H0063 |
| | | 12 | | | | | | | | | | | |
| A250 * | 15 | | | | | | | | | | | | |
| | 12 | 60 | 4 | 12 | 168 | 52 | 62 | 180 | 250 | 215 | ø 14 | 080H0083 | |
| | | 15 | 60 | 4 | 12 | 168 | 50 | 60 | 180 | 250 | 215 | ø 14 | 080H0083 |

* External