

Clutch / brake units

RotaStep type 20

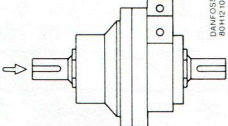
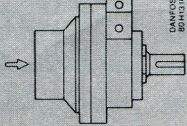
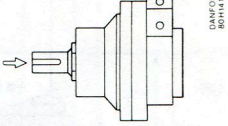
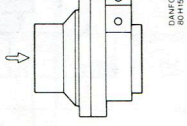
Data Sheet

The Danfoss *RotaStep* is a compressed air activated clutch / brake unit.

The product range comprises five *RotaStep* sizes, covering the torque range (dynamic torque) of 3 to 120 Nm.

Each *RotaStep* size will be available in four types.

RotaStep type 20 is the hollow/solid shaft version.

<i>RotaStep</i> 06 <i>RotaStep</i> 08 <i>RotaStep</i> 10 <i>RotaStep</i> 12 <i>RotaStep</i> 15	Type 10	Solid/solid shaft		Data sheet no. FD.60.A3
<i>RotaStep</i> 06 <i>RotaStep</i> 08 <i>RotaStep</i> 10 <i>RotaStep</i> 12 <i>RotaStep</i> 15	Type 20	Hollow/solid shaft		FD.60.B4
<i>RotaStep</i> 06 <i>RotaStep</i> 08 <i>RotaStep</i> 10 <i>RotaStep</i> 12 <i>RotaStep</i> 15	Type 30	Solid/hollow shaft		FD.60.C1
<i>RotaStep</i> 06 <i>RotaStep</i> 08 <i>RotaStep</i> 10 <i>RotaStep</i> 12 <i>RotaStep</i> 15	Type 40	Hollow/hollow shaft		FD.60.D1

Product identification

Example: Rota 15 20
 Size: *RotaStep* 15
 Type: Type 20



RotaStep size 08, 10, 12 and 15

Input

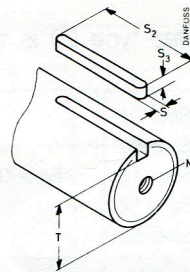
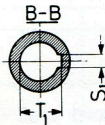
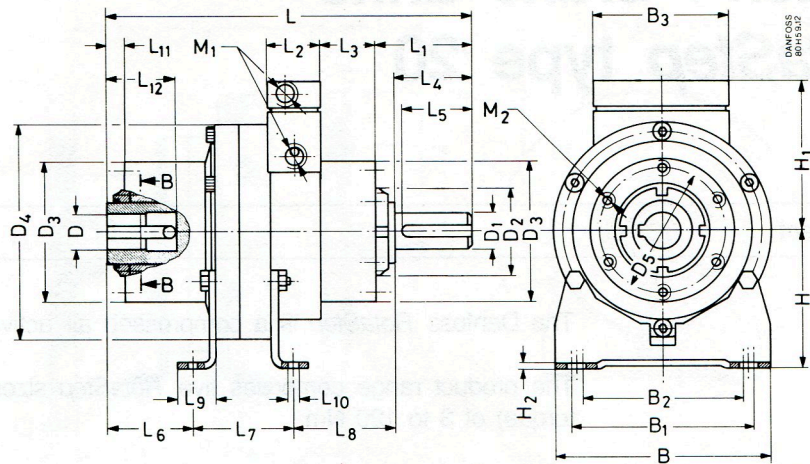


Fig. 1

RotaStep size 06

Input

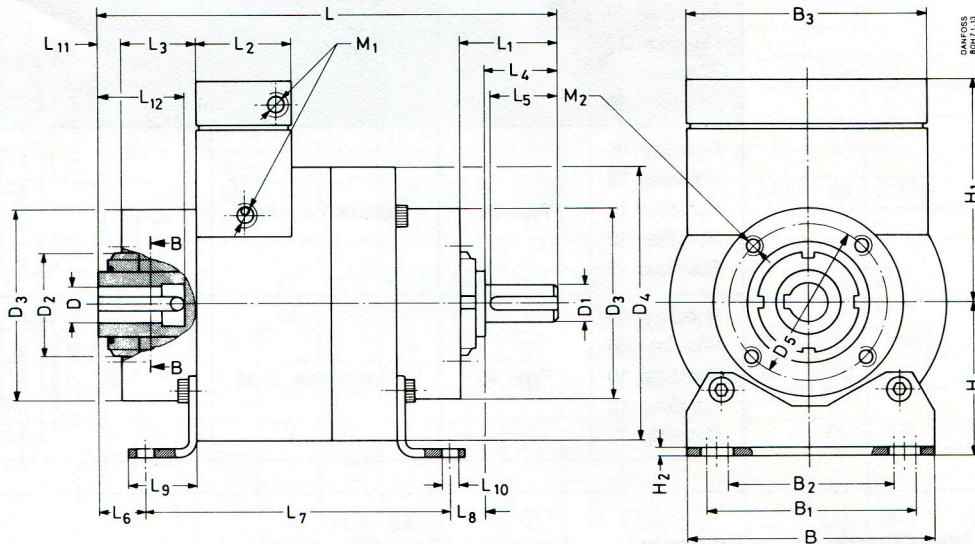


Fig. 2

- Keyway: DIN 6885/1
- Solid shafts: j6 for $D_1 \leq 30$ mm ISO R 775
- Hollow shaft: G7
- Centrings: DIN 332/2 form DR
- Shaft heights: DIN 748
- Grade of enclosure: IP 54



Ordering

<i>RotaStep</i> size/type	Torque range Nm	D mm	D ₁ mm	Weight kg	Code no. <i>RotaStep</i> unit	Code no. bracket
0620	3-9	Ø 14	Ø 14	3.4	080H1121	080H0016
0820	6-18	Ø 19	Ø 19	5	080H2121	080H0019
1020	12-36	Ø 24	Ø 24	7.4	080H3121	080H0022
1220	22-66	Ø 28	Ø 28	7.9	080H4121	080H0025
1520	40-120	Ø 28	Ø 28	11.6	080H5121	080H0028

Dimensions

<i>RotaStep</i> size/type	L	L ₁	L ₂	L ₃	L ₄	L ₅	L ₆	L ₇	L ₈	L ₉	L ₁₀	L ₁₁	L ₁₂	B	B ₁	B ₂	B ₃
0620	183	40	35	28.5	30	25	21.5	107.5	24	25	7	9	31.5	100	83	73	88.5
0820																	
1020	237.5	62	35	35	50	45	54	71	62.5	25	7	11	51	140	123	113	88.5
1220	252	72	35	27	60	55	52	78	62	28	7	12	60	165	143	133	88.5
1520	252	72	40	27	60	55	50	82	60	30	9	11	60	190	168	159	116

<i>RotaStep</i> size/type	H	H ₁	H ₂	D	D ₁	D ₂	D ₃	D ₄	D ₅	M ₁	M ₂
0620	71	84.2	4	11	11	38	70	102	58	G 1/4	4 x M5 x 15
				14	14						
0820				19	19						
1020	90	98	4	19	19	56	92	142	80	G 1/4	6 x M6 x 15
				24	24						
1220	100	104	4	28	28	56	110	170	93	G 1/4	4 x M8 x 15
1520	100	110	4	28	28	56	110	192	93	G 3/8	4 x M8 x 15

Key/Keyways

<i>RotaStep</i> size/type	D	M	S	S ₁	S ₂	S ₃	T	T ₁
0620	11	M4x10	4	4	18	4	8.5	12.8
	14	M5x10	5	5	22	5	10.95	16.35
0820	19							
1020	19	M5x12	6	6	32	6	15.5	21.8
	24	M6x16	8	8	40	7	19.9	27.4
1220	28	M6x16	8	8	50	7	24	31.4
1520	28	M6x16	8	8	50	7	24	31.4



Flange DIN 42948

Input

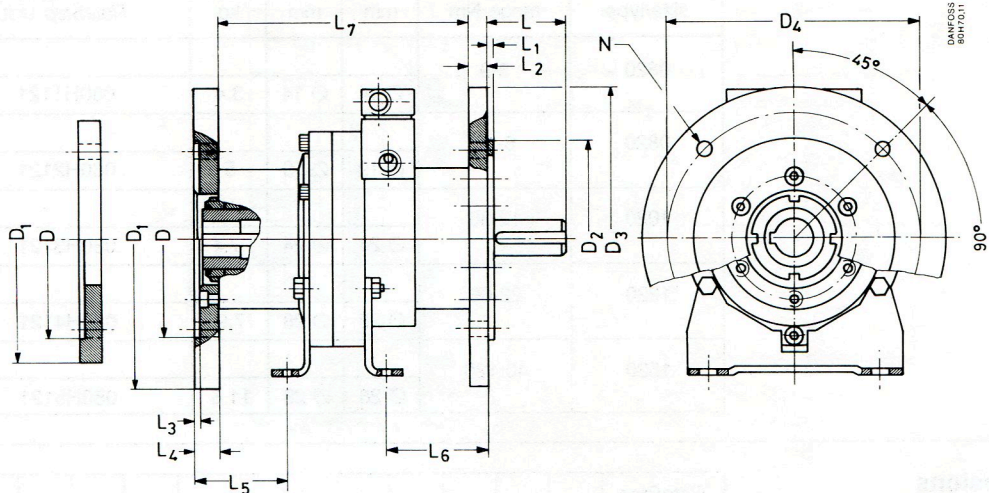


Fig. 3

Flange DIN 42948		For <i>RotaStep</i> size	L	L ₁	L ₂	L ₃	L ₄	L ₅	L ₆	L ₇	D	D ₁	D ₂	D ₃	D ₄	N	Code no. 1 pcs.	
B5	A140 *	06																
	A140 **	06																
	A160 *	06	25.5			4.5	14.5	38.5	26	133	110	160			130	M8	080H0042	
		08																
	A160 **	06	30	3.5	10			24	21.5	133			110	160	130	∅ 9	080H0043	
		08																
		10	45.5			4	16.5	58.5	67	163.5	130	200			165	M10	080H0062	
	A200 *	12																
		15																
		08																
		10	50	3.5	12			54	62.5	163.5			130	200	165	∅ 11	080H0063	
	A200 **	12																
15																		
A250 *	12	55.5			4.5	16.5	56.5	66.5	168	180	250			215	M12	080H0082		
	15	55.5			4.5	16.5	54.5	64.5	168	180	250			215	M12	080H0082		
A250 **	12	60	4	12			52	62	168			180	250	215	∅ 14	080H0083		
	15	60	4	12			50	60	168			180	250	215	∅ 14	080H0083		
B14	C90 *	06																
	C105 *	06	27			3	13	27	24.5	133	70	105			85	∅ 7	080H0046	
		08																
	C120 *	08																
	C140 *	10	45.5			4	16.5	58.5	67	163.5	95	140			115	∅ 9	080H0065	
		12																
		15																
C160 *	12	55.5			4.5	16.5	56.5	66.5	168	110	160			130	∅ 9	080H0086		
	15	55.5			4.5	16.5	54.5	64.5	168	110	160			130	∅ 9	080H0086		

* Internal
** External



Danfoss can accept no responsibility for possible errors in catalogues, brochures and other printed material. Danfoss reserves the right to alter its products without notice. This also applies to products already on order provided that such alterations can be made without subsequent changes being necessary in specifications already agreed.