

Clutch / brake units

RotaStep type 30

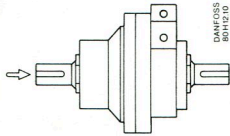
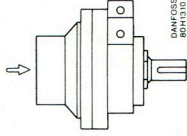
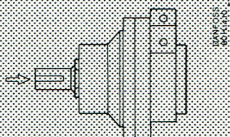
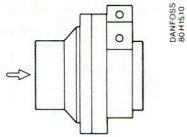
Data Sheet

The Danfoss *RotaStep* is a compressed air activated clutch / brake unit.

The product range comprises five *RotaStep* size, covering the torque range (dynamic torque) of 3 to 120 Nm.

Each *RotaStep* size is available in four types.

RotaStep type 30 is the solid / hollow shaft version.

				Data sheet no.
RotaStep 06 RotaStep 08 RotaStep 10 RotaStep 12 RotaStep 15	Type 10	Solid / Solid shaft		FD.60.A3
RotaStep 06 RotaStep 08 RotaStep 10 RotaStep 12 RotaStep 15	Type 20	Hollow / Solid shaft		FD.60.B4
RotaStep 06 RotaStep 08 RotaStep 10 RotaStep 12 RotaStep 15	Type 30	Solid / Hollow shaft		FD.60.C1
RotaStep 06 RotaStep 08 RotaStep 10 RotaStep 12 RotaStep 15	Type 40	Hollow / Hollow shaft		FD.60.D1

Product identification

Example: Rota 15 30
 Size: RotaStep 15 ————
 Type: Type 30 ————



RotaStep size 08, 10, 12 and 15

Input

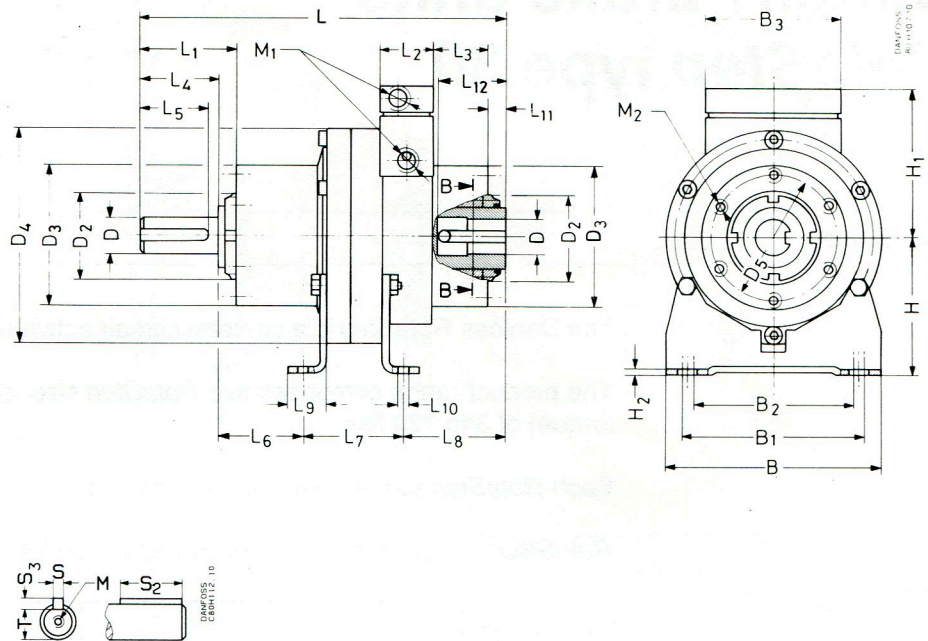


Fig. 1

RotaStep size 06

Input

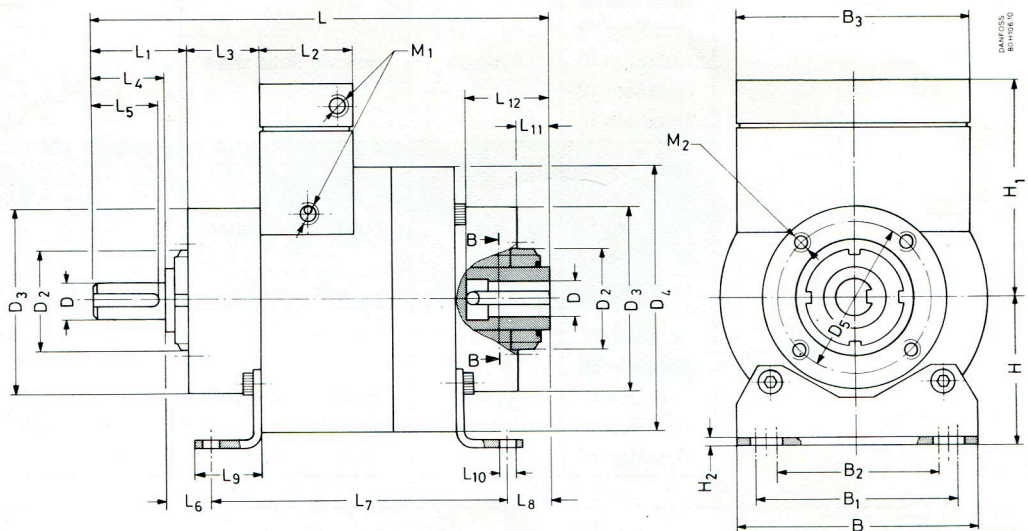


Fig. 2

- Keyway: DIN 6885/1
- Solid shaft: j6 for $D_1 \leq 30$ mm ISO R 775
- Hollow shaft: G7
- Centrings: DIN 332/2 form DR
- Shaft heights: DIN 748
- Grade of enclosure: IP 54



Ordering

<i>RotaStep</i> size/type	Torque range Nm	D Ø	D ₁ Ø	Weight kg	Code no. <i>RotaStep</i> unit	Code no. bracket
0630	3-9					080H0016
		14	14	3.4	080H1131	
0830	6-18					080H0019
		19	19		080H2131	
1030	12-36	19	19	7.1		080H0022
		24	24	7.4	080H3131	
1230	22-66					080H0025
		28	28		080H4131	
1530	40-120					080H0028
		28	28	11.6	080H5131	

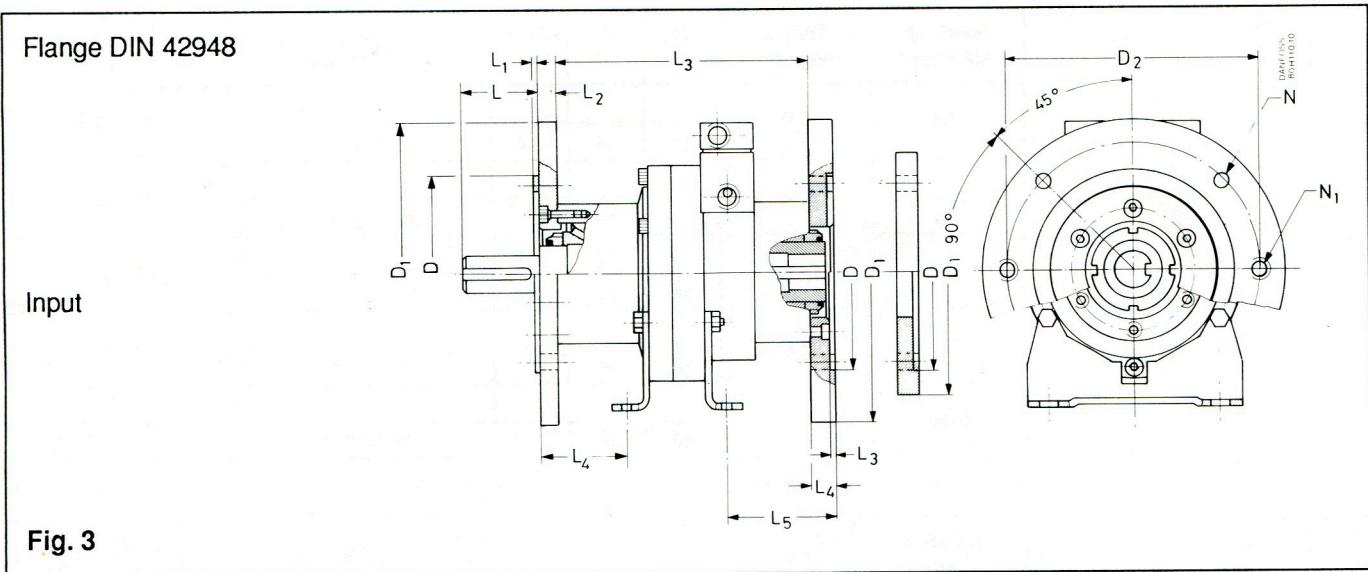
Dimensions

<i>RotaStep</i> size/type	D/D ₁ Ø	L	L ₁	L ₂	L ₃	L ₄	L ₅	L ₆	L ₇	L ₈	L ₉	L ₁₀	L ₁₁	L ₁₂	B	B ₁	B ₂	B ₃
0630	11	183	40	35	28.5	30	25	21.5	107.5	24	25	7	9	31.5	100	83	73	88.5
	14																	
0830	14																	
	19																	
1030	19	237.5	52	35	35	40	36	54	71	62.5	25	7	11	41.5	140	123	113	88.5
	24																	
1230	24	252	72	35	27	60	55	52	78	62	28	7	12	60	165	143	133	88.5
	28																	
1530	24	252	72	40	27	60	55	50	82	60	30	9	11	60	190	168	159	116
	28																	

<i>RotaStep</i> size/type	H	H ₁	H ₂	D ₂	D ₃	D ₄	D ₅	M ₁	M ₂
0630	71	84.2	4	38	70	102	58	G 1/4	4 x M5 x 15
0830									
1030	90	98	4	56	92	142	80	G 1/4	6 x M6 x 15
1230	100	104	4	56	110	170	93	G 1/4	4 x M8 x 15
1530	100	110	4	56	110	192	93	G 3/8	4 x M8 x 15

Key / Keyways

<i>RotaStep</i> size/type	D/D ₁ Ø	M	S	S ₁	S ₂	S ₃	T	T ₁
0630								
	14	M5x10	5	5	22	5	10.95	16.35
0830								
1030	19	M5x12	6	6	32	6	15.5	21.8
	24	M6x16	8	8	40	7	19.9	27.4
1230								
	28	M6x16	8	8	50	7	24	31.3
1530								
	28	M6x16	8	8	50	7	24	31.3



Flange DIN 42948	For <i>RotaStep</i> size	Shaft Ø	L	L ₁	L ₂	L ₃	L ₄	L ₅	L ₆	L ₇	D	D ₁	D ₂	D ₃	D ₄	N	N ₁	Code number 1 pcs.	
B5	A140 *	06																	
	A140 **	06																	
	A160 *	06	25,5			4,5	14,5	38,5	26	133	110	160			130	M8	M8	080H0042	
	A160 **	08																	
	A160 *	08	30	3,5	10			24	21,5	133			110	160	130	Ø 9	M8	080H0043	
	A160 **	08																	
	A200 *	08																	
	A200 *	10	19/24	45,5			4	16,5	58,5	67	163,5	130	200			165	M10	M10	080H0062
	A200 *	12	24																
	A200 **	08	19																
	A200 **	10	19/24	50	3,5	12			54	62,5	163,5			130	200	165	Ø 11	M10	080H0063
	A200 **	12	24																
A250 *	12		55,5			4,5	16,5	56,5	66,5	168	180	250			215	M12	M12	080H0082	
A250 *	15		55,5			4,5	16,5	54,5	64,5	168	180	250			215	M12	M12	080H0082	
A250 **	12		60	4	12			52	62	168			180	250	215	Ø 14	M12	080H0083	
A250 **	15		60	4	12			50	60	168			180	250	215	Ø 14	M12	080H0083	
B14	C105 *	06	27			3	13	27	24,5	133	70	105			85	Ø 7	M6	080H0046	
	C120 *	08																	
	C140 *	10	45,5			4	16,5	58,5	67	163,5	95	140			115	Ø 9	M8	080H0065	
	C140 *	12	55,5			4,5	16,5	56,5	66,5	168	110	160			130	Ø 9	M8	080H0086	
	C160 *	15	55,5			4,5	16,5	54,5	64,5	168	110	160			130	Ø 9	M8	080H0086	

* Internal
** Eksternal



Danfoss can accept no responsibility for possible errors in catalogues, brochures and other printed material. Danfoss reserves the right to alter its products without notice. This also applies to products already on order provided that such alterations can be made without subsequential changes being necessary in specifications already agreed.